



Security Tech Germany

System Y14

Profile with internal key stopper



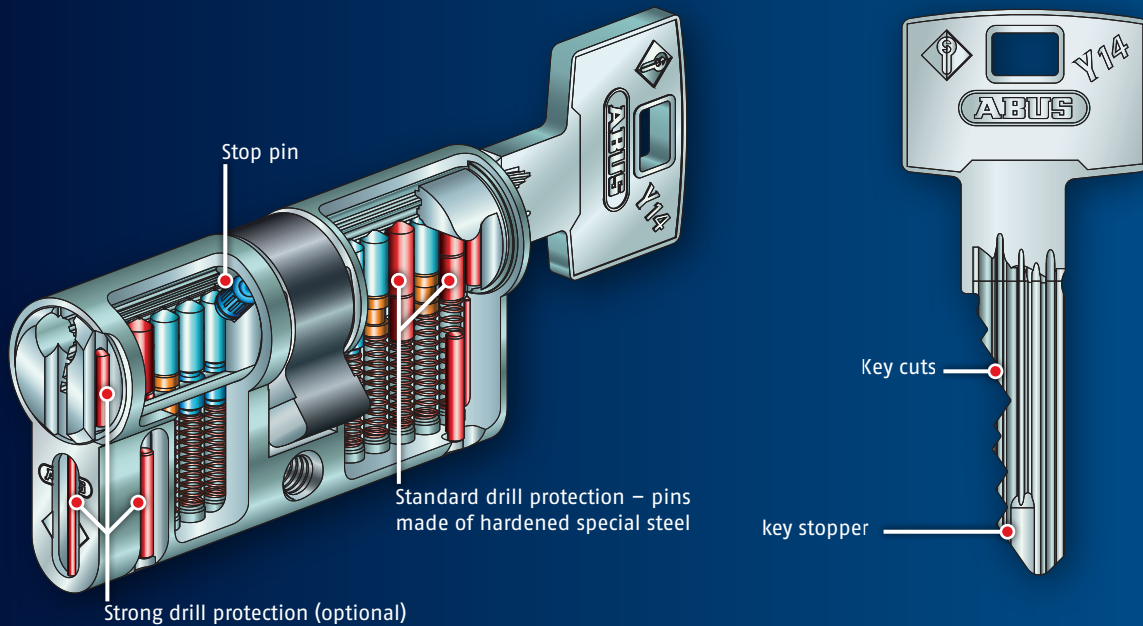
MADE IN
GERMANY



Security Tech Germany

System Y14

Multiple paracentric profile with bent precision and internal key stopper



All images with optional drill protection

Internal key stopper

- The special key stopper offers an additional technical protection against copying
- If the key stopper is missing the key cannot be inserted completely into the cylinder core and cannot open the cylinder



Bent precision shape

- The bent precision shape offers an effective picking resistance
- This special shape offers a very high protection against key copying
- The bent shape gives the key a higher stability



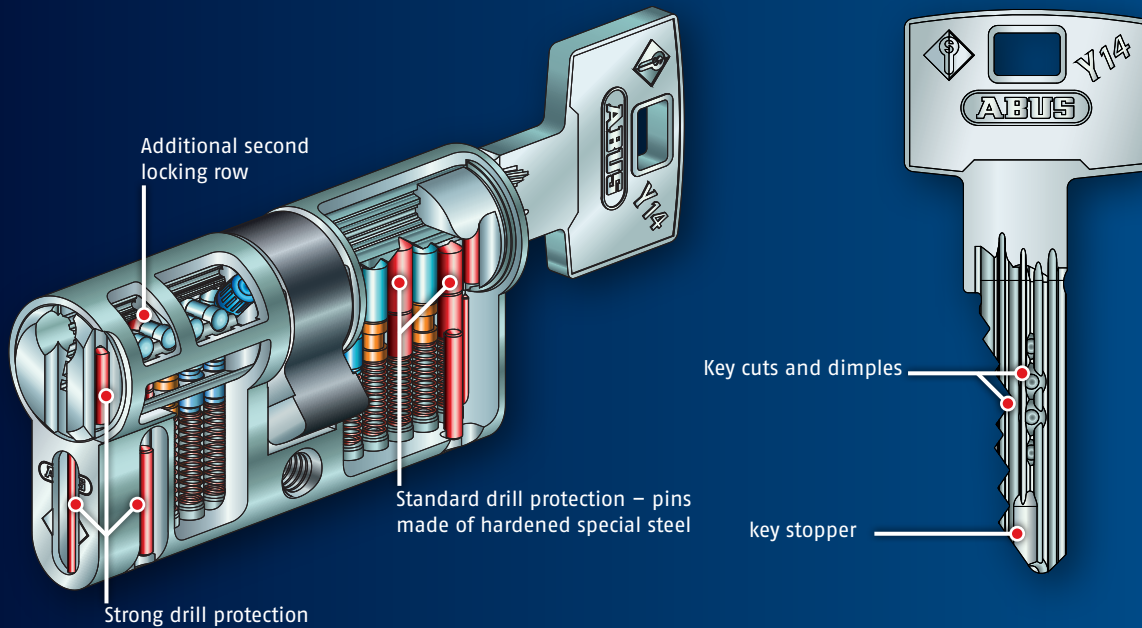
General advantages

- Complex locking systems because of a 14 mm core diameter
- Can be combined with systems of higher security levels (XY14)
- Legal protection against copying (patent)
- Emergency feature available from length 26,5/26,5 mm onwards
- Production according to DIN EN 1303 and ISO 9001:2008
- 5 or 6 pins per cylinder side



Security Tech Germany

Combination with system XY14 (optional) For a higher protection against illegal opening



All images with optional drill protection

Ideal complement for higher security demands

- System XY14 = System Y14 + passive lateral locking elements
- The second locking row (XY14) extends the authority request and makes manipulation more complicated
- The system XY14 can be used in the whole locking system or only for sections that demand a higher security level

The Plus of security

- An additional row of pins makes intelligent manipulation attempts more difficult
- The dimples complicate illegal copying of keys
- Up to 10 locking elements per cylinder side for an optimal protection against opening attempts

Investment security

- An additional row of pins makes even more complex locking systems and extensions possible
- The option of a later extension offers more extensive adjustment possibilities, for example when the authorization structure changes
- A later extension guarantees a long use of a locking system, for example when a key is lost



Security Tech Germany

International product range

Cylinders in America are different to cylinders in Germany and the locking systems in Asia are different to those in Europe. Our product range comprises many samples of "Made in Germany" cylinders that are specifically designed for use in multinational markets.



Special features for your individual locking system

Drill and pull protection

Different options are available

Pre-snap function

For the controlled breaking of the cylinder at a predetermined breaking point

Special numbering

For the individual marking of the cylinder and key

Electronic locking system

Can be combined with electronic locking systems of the ABUS group

Emergency feature

Locking of the cylinder from one side even when a key is inserted in the other side

Emergency feature with free-wheel cam

For mortise locks with a panic feature and multi-point locking

Salt water resistant cylinders

Corrosion resistance according to DIN 50 021-SS

Further special features

Of course, other special features are available as well

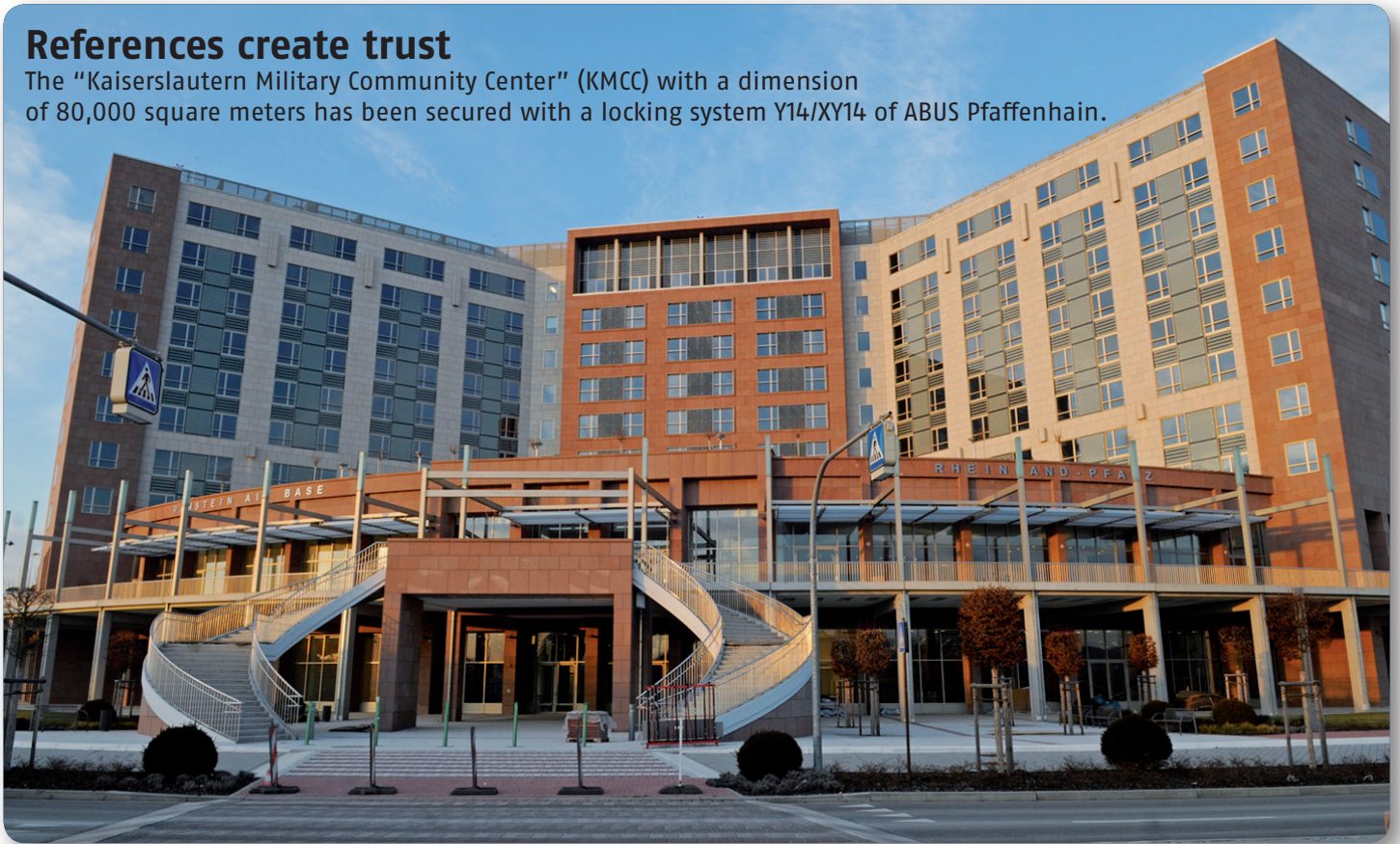
Please contact us



Security Tech Germany

References create trust

The "Kaiserslautern Military Community Center" (KMCC) with a dimension of 80,000 square meters has been secured with a locking system Y14/XY14 of ABUS Pfaffenhain.



Quality creates references, references create trust!

Trust in over 85 years of experience of ABUS.

Well-known references in Germany and abroad speak for themselves. ABUS – Made in Germany – is a global rating for security technique on a very high quality level.

National

Cargo transport center –
Ingolstadt (Audi)

Allianz Insurance –
Unterföhring

Bode Museum –
Berlin

Group AXA COLONIA –
Berlin

Westphalian hospital –
Gütersloh

Toll Collect Stations –
Germany

Company Jenoptik AG –
Jena

International

Hospital Clermont Ferrand –
France

Dubai Metro –
Dubai

Ministry of Defence –
Saudi-Arabia

National Bank of Dubai –
Dubai

Golden Pyramids Plaza –
Cairo

Emirates Palace –
Abu Dhabi

American College of Greece –
Athens



Security Tech Germany

Humboldt-University Berlin

With 11 faculties and over 30,000 students the Humboldt University Berlin relies on a locking system of ABUS Pfaffenhain.



Consulting and planning

Structured and thorough planning is the basis of a safe and functional locking system. We are pleased to consult on a suitable locking system that meets your particular requirements. Through our staff and partners we can provide help and assistance either by phone or directly on location.

Please contact us.

Contact

ABUS Pfaffenhain GmbH
Fabrikstraße 1
09387 Jahnsdorf
Germany

www.abus.com
export@abus-pfaffenhain.de

Export Department
Tel.: +49 3 72 96 713-264
Fax: +49 3 72 96 713-754

