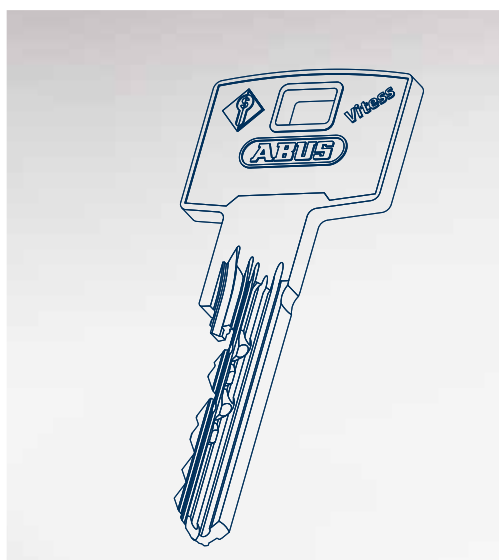
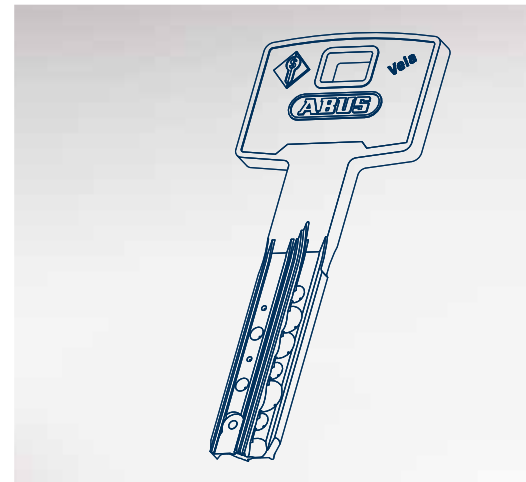
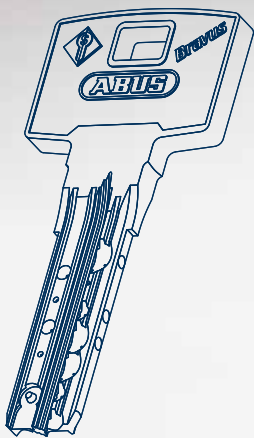


Mechanical locking systems

Effective and future-proof

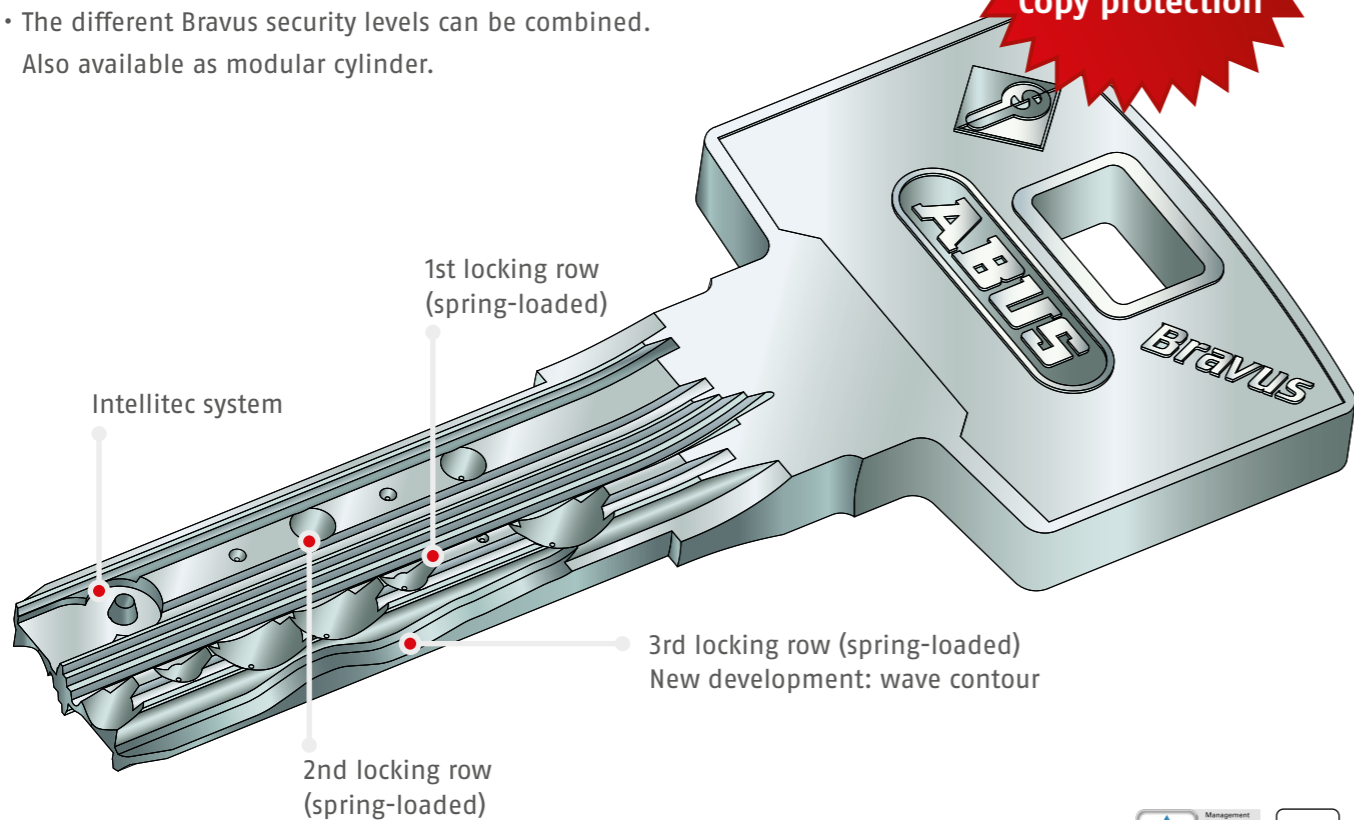


Locking system Bravus

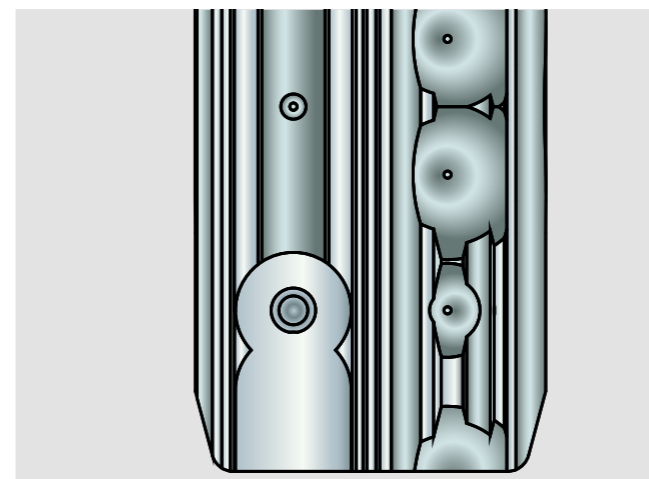
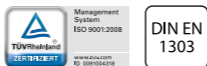
No compromises

- Maximum protection against cylinder manipulation and illegal key copying thanks to innovative Intellitec system
- Unique combination of patent protection until 2030*, unlimited trademark protection and maximum technical copy protection
- Convenient, robust reversible key with horizontal key insertion
- The different Bravus security levels can be combined.
Also available as modular cylinder.

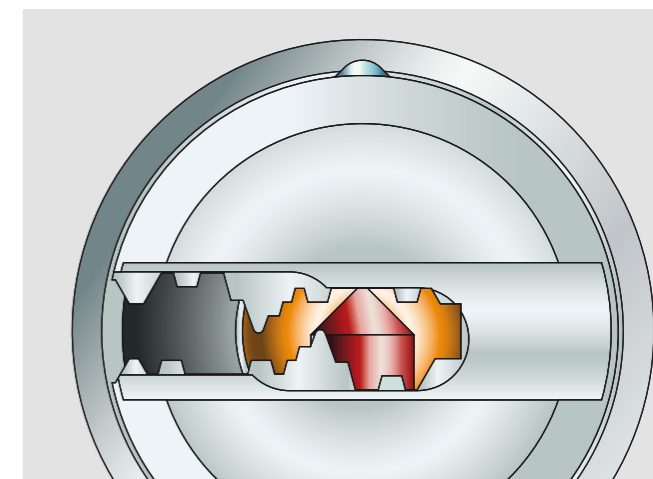
Patent until 2030*
Trademark protection
Copy protection



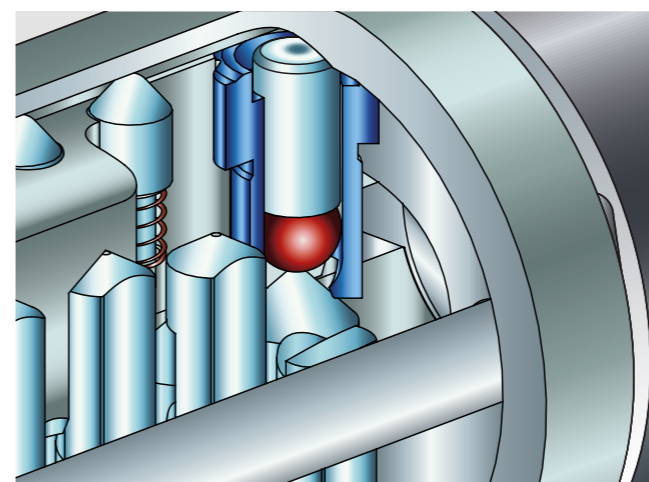
Picture shows Bravus.4000



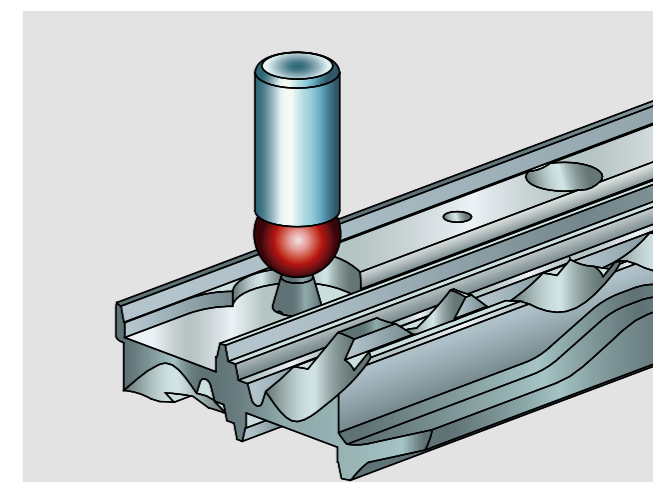
All four system levels of the Bravus locking system include the patented Intellitec system, which provides maximum protection against illegal key copying.



The modern reversible key system with horizontal key insertion offers users maximum locking convenience. The high-quality precision profile ensures easy key insertion.



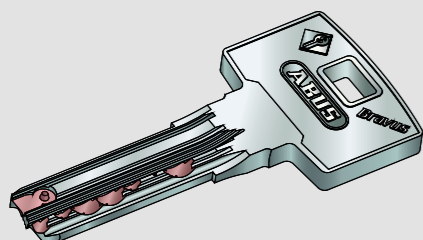
Intellitec system in the cylinder



Intellitec system in the key

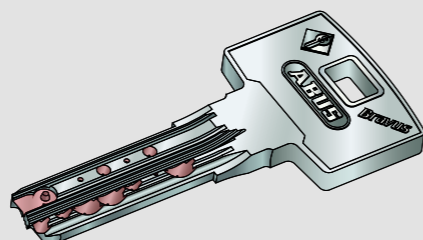
Bravus.1000

- 6 spring-loaded locking elements in one locking row



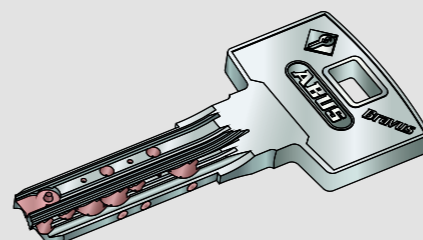
Bravus.2000

- 10 spring-loaded locking elements in two locking rows



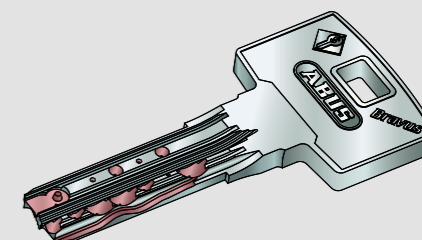
Bravus.3000

- 10 spring-loaded locking elements and up to 6 coding pins in three locking rows



Bravus.4000

- 15 spring-loaded locking elements including wave contour in three locking rows



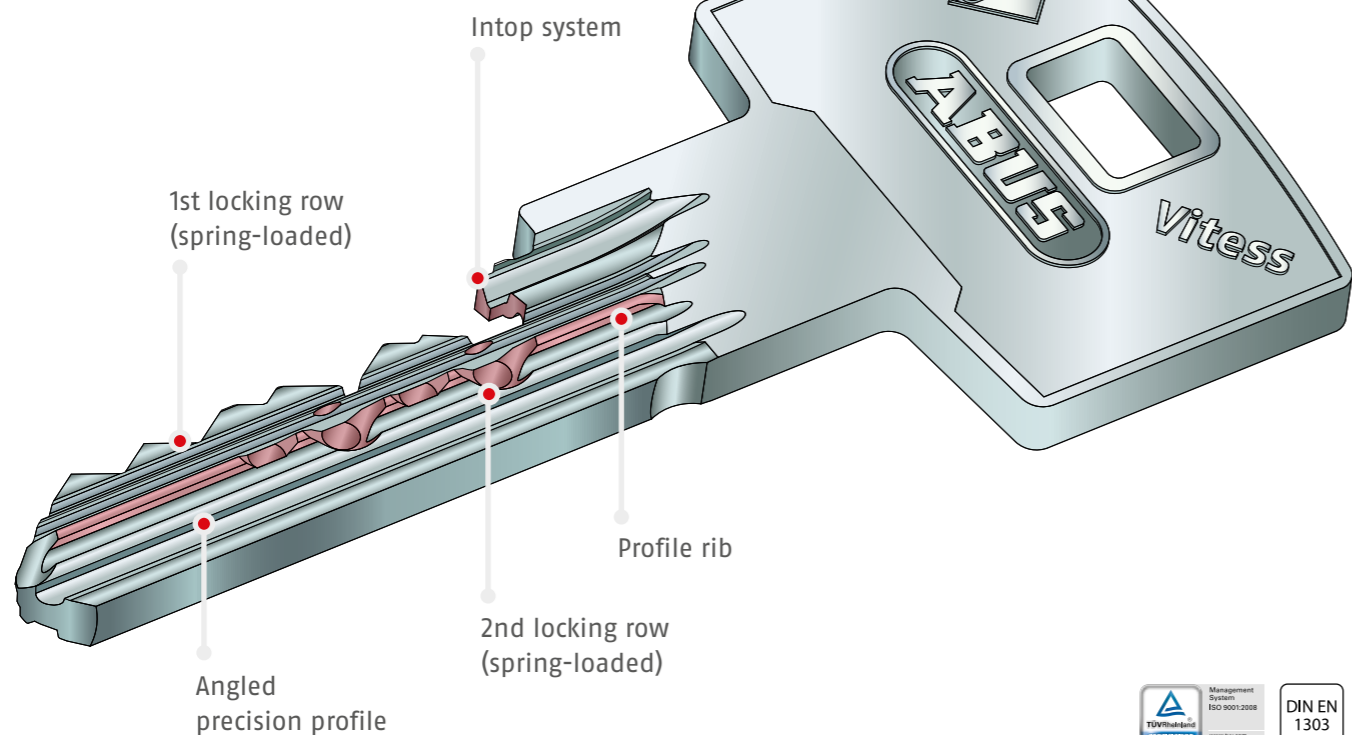
*Patent pending, max. duration until 2030

Locking system Viteess

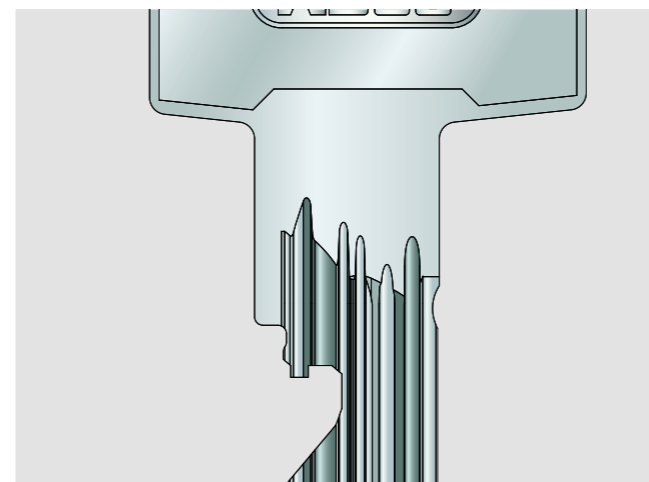
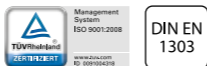
Simply secure

- Effective protection against cylinder manipulation and illegal key copying
- Combination of patent protection until 2034*, unlimited trademark protection and a high level of technical key copy protection
- Robust key with vertical key insertion
- Combination of the different system levels and with modular Viteess MX cylinders

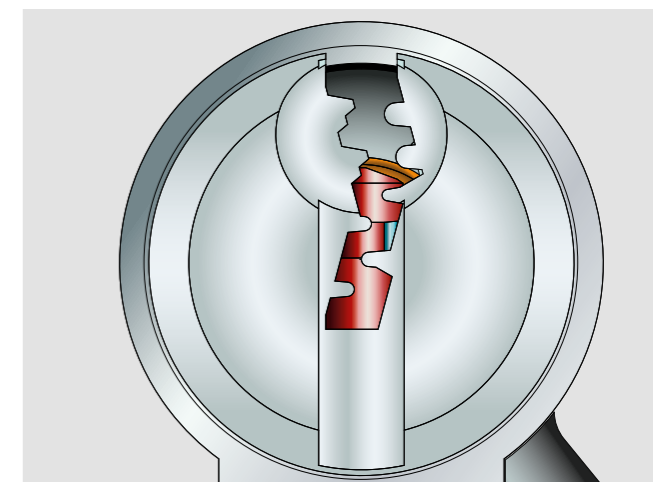
Patent until 2034*
Trademark protection
Copy protection



Picture shows on Viteess.2000



All Viteess system levels feature the Intop system.



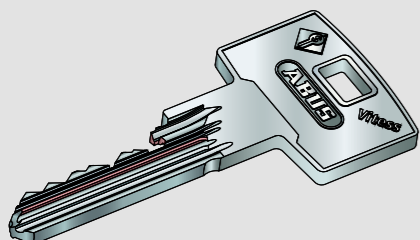
Multiple paracentric 3D curved profile and the coded profile rib with profile control pin provide effective protection against cylinder and key manipulation.



The Intop control unit on the key and in the cylinder guarantee a high level of technical copy protection.

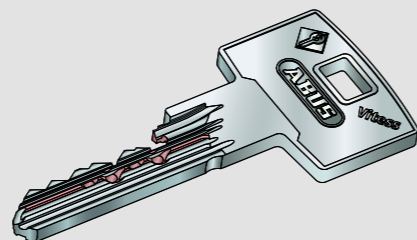
Viteess.1000

- 6 spring-loaded locking elements in one locking row
- Coded profile rib with profile control pin



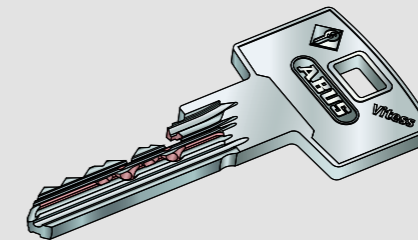
Viteess.2000

- 10 locking elements in two locking rows
- Coded profile rib with profile control pin



Viteess.4000

- 10 spring-loaded locking elements in two locking rows
- Coded profile rib with profile control pin

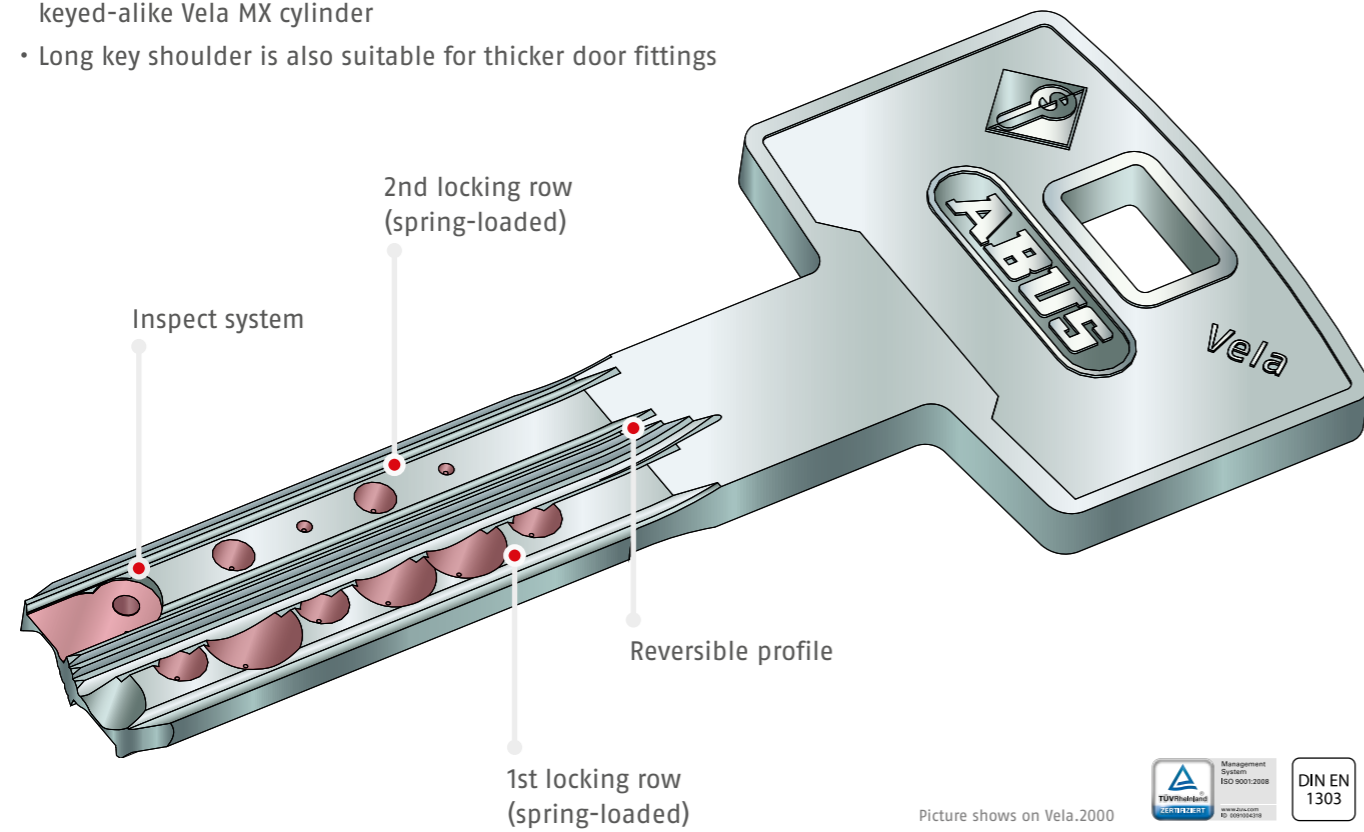


*Patent pending, max. duration until 2034

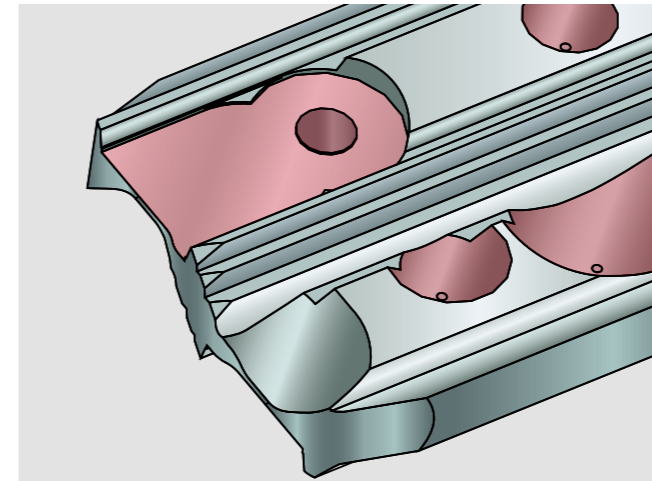
Locking system Vela

Feel secure at home

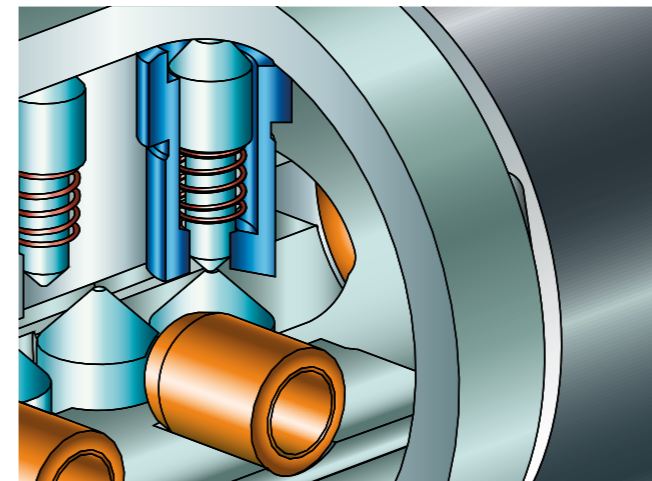
- Additional detection of access authorization with the Inspect System
- High level of locking convenience thanks to modern reversible key
- Horizontal key insertion
- Ideal for small master key systems, for example in Apartment blocks and small commercial properties
- Perfect for flats and private homes, as either a single-differ or keyed-alike Vela MX cylinder
- Long key shoulder is also suitable for thicker door fittings



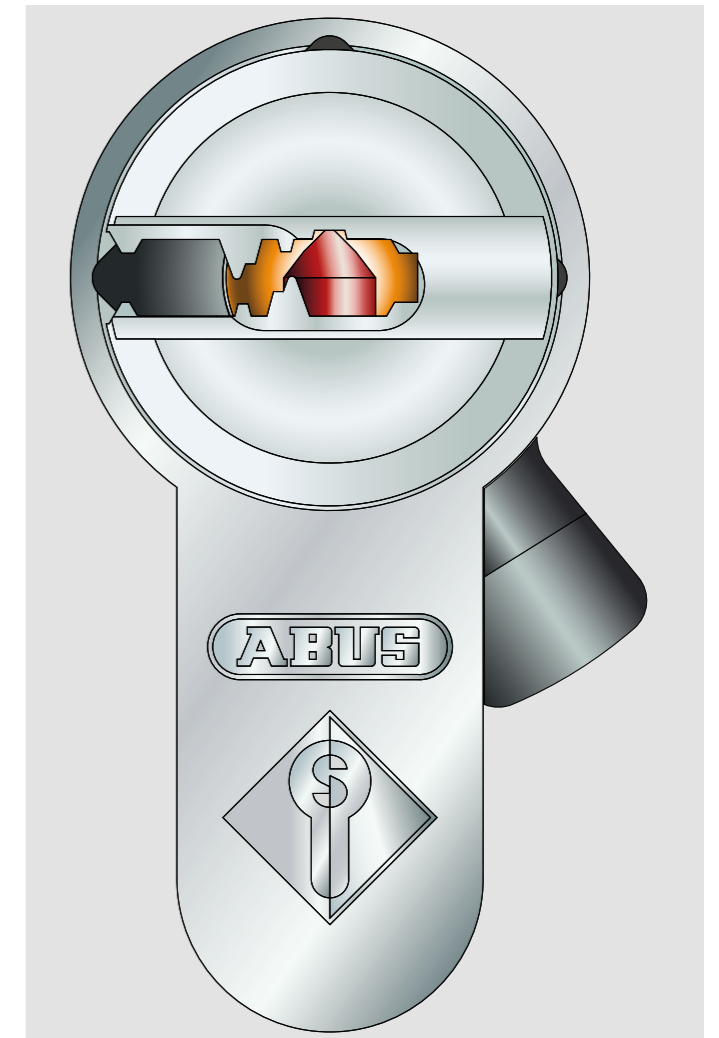
Picture shows on Vela.2000



Vela keys with the new Inspect system



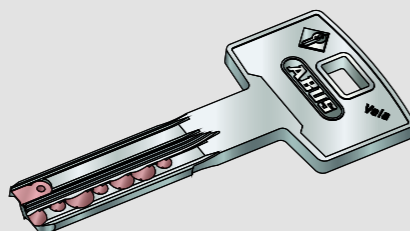
The Inspect system performs an additional locking authorisation query in the cylinder. If a manipulated key is inserted, the unit blocks the cylinder core.



The modern reversible key system with horizontal key insertion offers users maximum locking convenience. The high-quality precision profile ensures easy key insertion.

Vela.2000

- 10 locking elements in two locking rows
- Inspect system

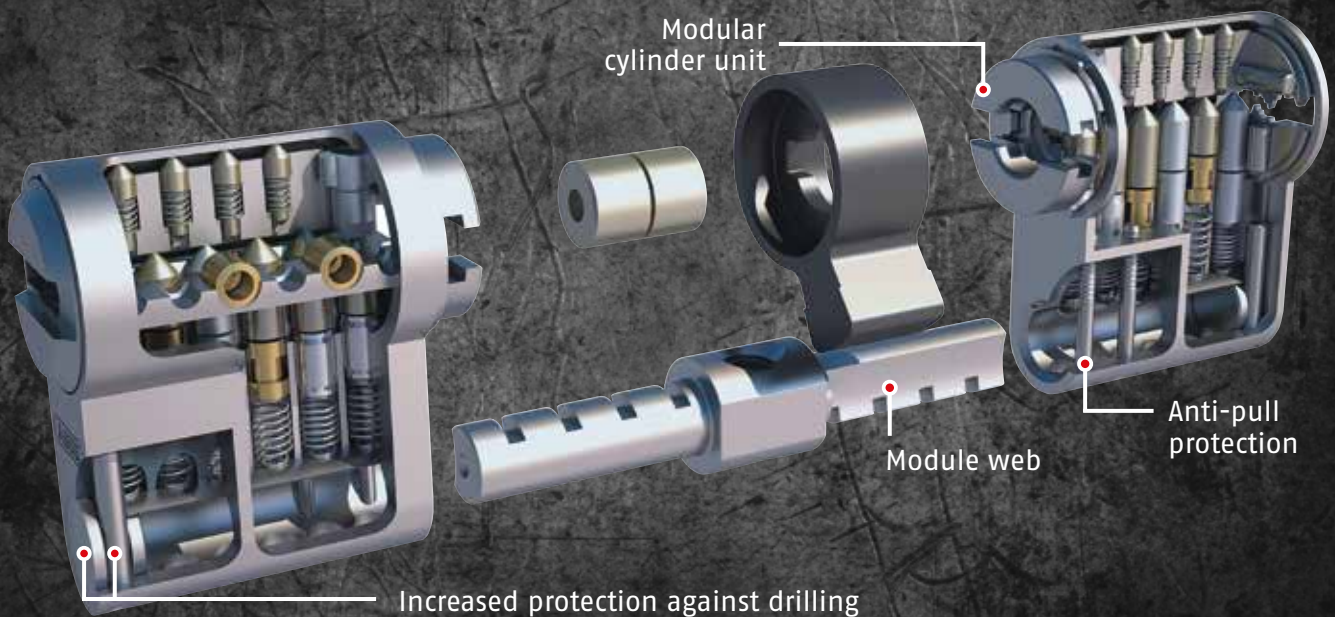
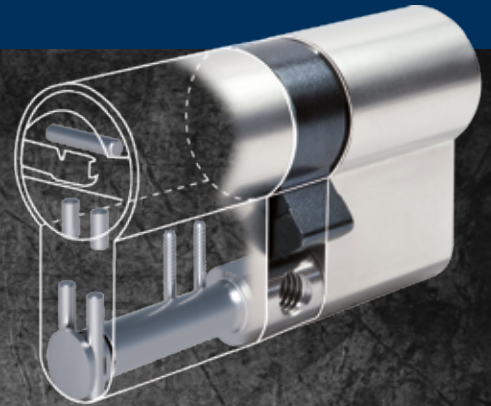


MX modular option

Secure, simple, fixed

MX in detail

- Tool-free modification
- Available as double, knob and half cylinder
- Increased anti-pull protection as standard thanks to the modular web made of stainless steel.
- Increased protection against drilling as standard thanks to hardened steel pins and a stainless steel anti-drill inlay



Sample modular cylinder design based on Bravus MX

Contact



ABUS Pfaffenhain GmbH
Fabrikstraße 1
D-09387 Jahnsdorf

vertrieb@abus-pfaffenhain.de

Export Department
Tel.: +49 3 72 96 713-0
Fax: +49 3 72 96 713-750