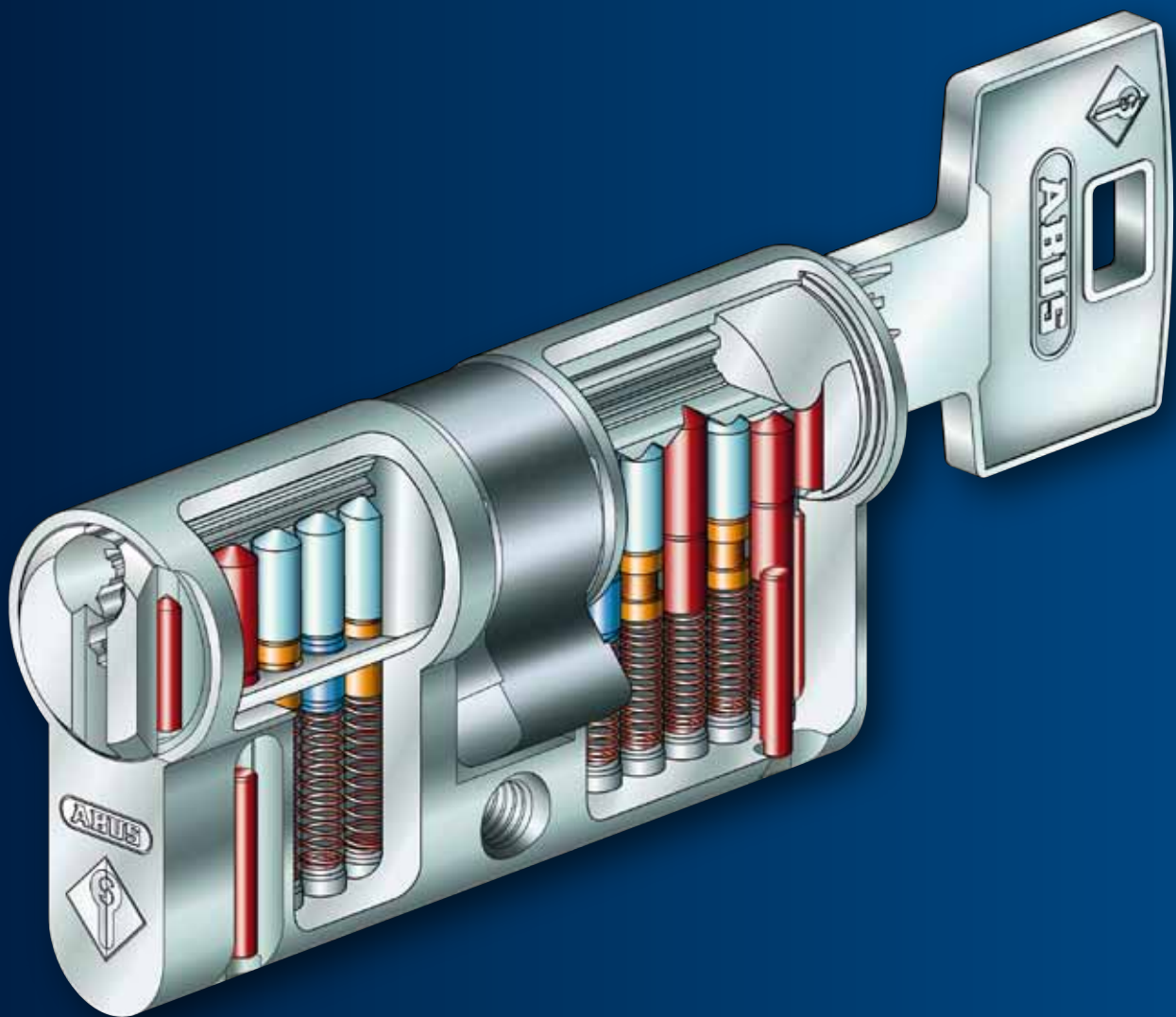




Security Tech Germany

System Standard

Multiple paracentric profile system



MADE IN GERMANY



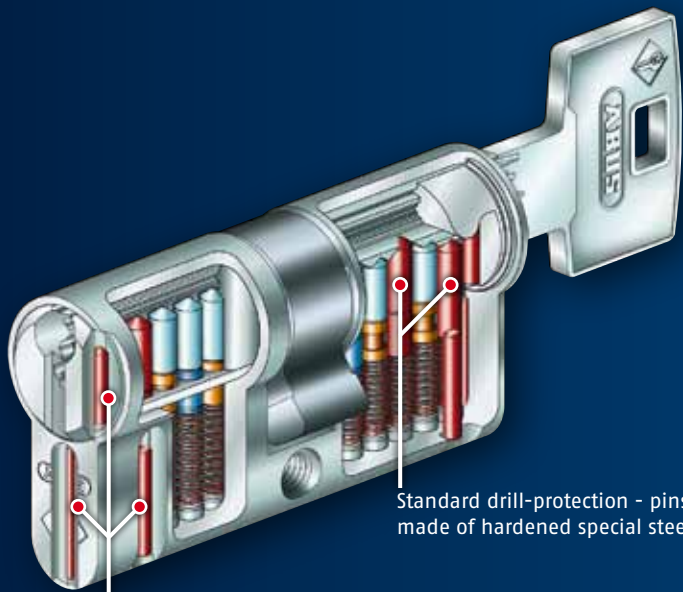
The good feeling of security

www.abus.com



Security Tech Germany

System Standard Multiple paracentric profile system



Cylinder illustration with optional drill-protection

Multiple paracentric profile

- Multiple paracentric profile for a good picking resistance.



Types of drill protection

Standard drill protection

- two housing and core pins per locking side made of hardened special steel

Increased drill protection

- as supplement to our standard drill protection
- two hardened steel pins are additionally inserted into the cylinder core and housing on each cylinder side

Strong drill protection

- as supplement to our standard drill protection
- two hardened steel pins are additionally inserted into the cylinder core and housing as well as one additional carbide pin on the front side of each cylinder side

System benefits

- Complex locking systems because of a 14 mm core diameter
- Can be combined with systems of a higher security level (X14 or K14)
- System K14: Legal protection against copying (patent)
- Emergency feature available from length 26,5/26,5 mm onwards
- Production according to DIN EN 1303, DIN 18252 and ISO 9001:2008
- 5 or 6 pins per cylinder side



Security Tech Germany

International product range

Cylinders in America are different to cylinders in Germany and the locking systems in Asia are different to those in Europe. Our product range comprises many samples of "Made in Germany" cylinders that are specifically designed for use in multinational markets.



Special features for your individual locking system

Drill and pull protection

Different options are available

Pre-snap function

For the controlled breaking of the cylinder at a predetermined breaking point

Special numbering

For the individual marking of the cylinder and key

Electronic locking system

Compatible with electronic locking systems of the ABUS group

Emergency feature

Cylinder can be operated from one side even if there is a key inserted in the other side.

Free-wheel cam

Panic feature where a free-wheeling cam is required when keys are not inserted.

Salt-water resistant cylinders

Corrosion resistance according to DIN 50 021-SS

Further special equipments

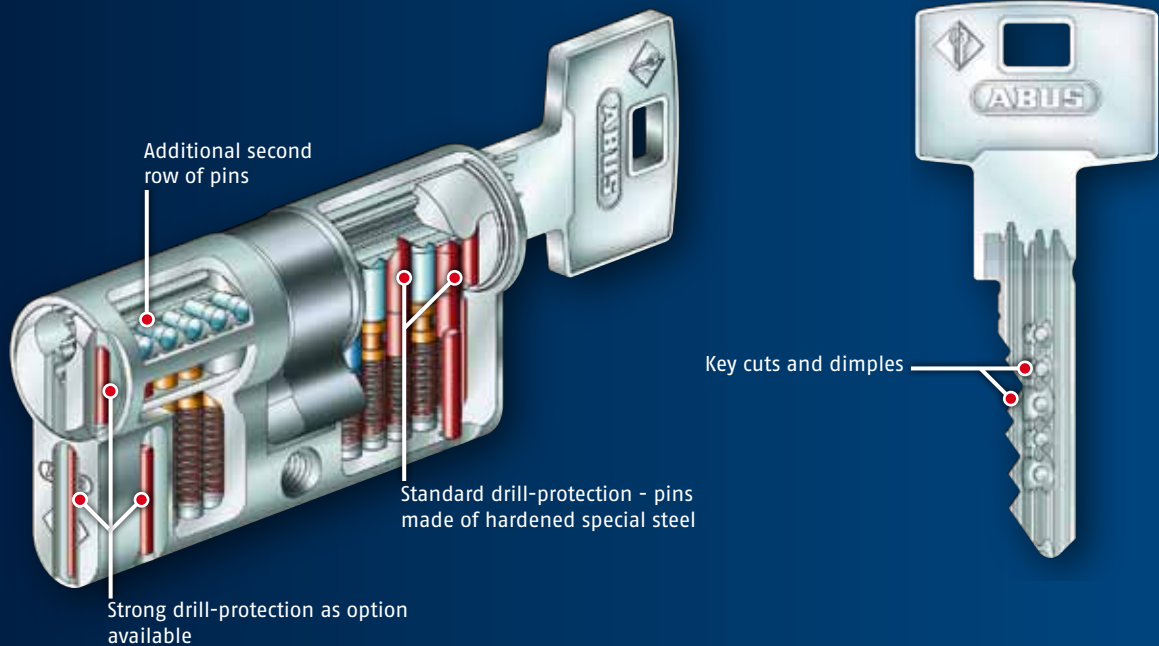
Of course, other features are also available.

Please contact us.



Security Tech Germany

Combination with system X14 (optional) For a higher protection against illegal opening



Ideal complement for higher security demands

- The second row of pins (X14) extends the authority request and makes manipulation more complicated
- The system X14 can be used in the whole locking system or only for sections that demand a higher security level

Improved safety

- An additional row of pins makes intelligent manipulation attempts more difficult
- Dimples complicate illegal copying of keys
- Up to 11 locking elements per cylinder side for an optimal protection against opening attempts

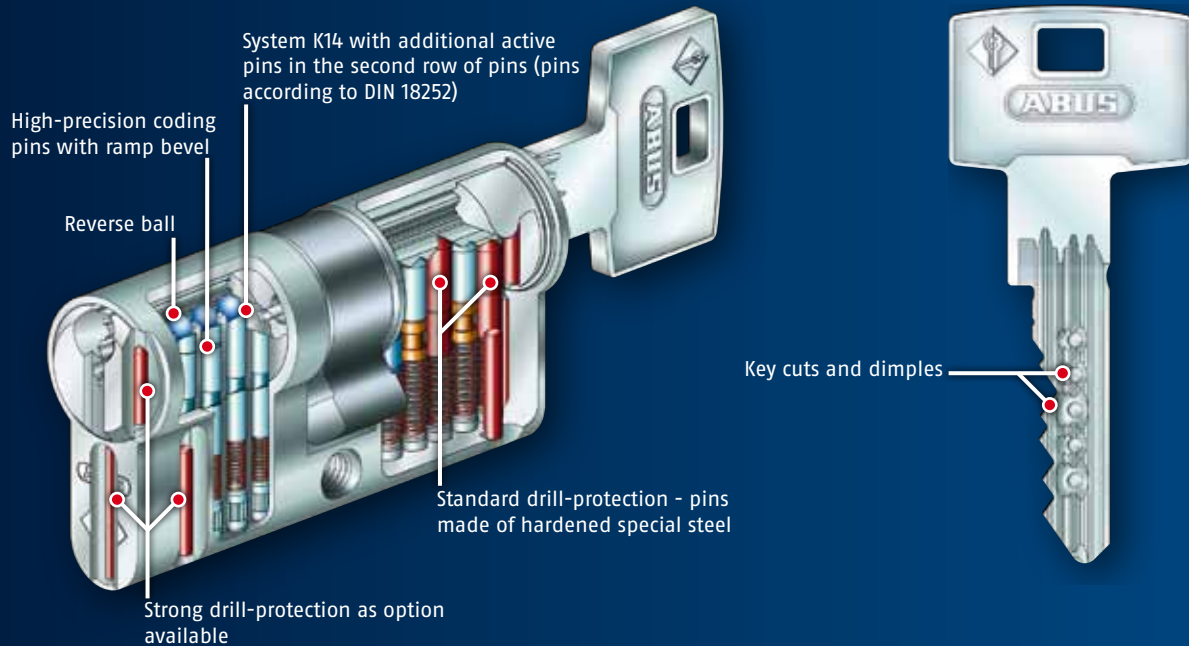
Investment security

- An additional row of pins makes even more complex locking systems and extensions possible
- The option of a later extension with a second row of pins offers more extensive adjustment possibilities, for example when the authorization structure changes
- A later extension guarantees a long use of a locking system, for example when a key is lost



Security Tech Germany

Can be combined with system K14 (optional) For a higher protection against illegal opening



Complex locking systems for highest security demands

Highest locking security does not need any further explanation:

Choose this second, active row of pins to meet highest security demands.

Improved Safety

- The second, active row of pins complicates intelligent manipulation attempts at the highest level
- The high precision pins and the complex precision shape offer ideal security against unauthorised copying
- Up to 11 locking elements per cylinder side against intelligent manipulation attempts

Investment security

- An additional row of pins makes even more complex locking systems and extensions possible
- The option of a later extension with a second row of pins offers more extensive adjustment possibilities, for example when the authorization structure changes
- A later extension guarantees a long use of a locking system, for example when a key is lost



Security Tech Germany

Security you can trust

The university medical center „Centre Hospitalier Universitaire“ in Clermont-Ferrand, France is secured by a ABUS Pfaffenhain locking system, type Standard.



© Architecture Groupe-6, 2010

Consulting and planning

Structured and thorough planning is the basis of a safe and functional locking system. We are pleased to consult on a suitable locking system that meets your particular requirements. Through our staff and partners we can provide help and assistance either by phone or directly on location.

Please contact us.

Contact

ABUS Pfaffenhain GmbH
Fabrikstraße 1
09387 Jahnsdorf
Germany

www.abus.com
export@abus-pfaffenhain.de

Export Department
Tel.: +49 3 72 96 713-264
Fax: +49 3 72 96 713-754



The good feeling of security